



SC/APC-1SM v1.0

SC/APC-1SM single-mode fiber optic adapter



Edition: 1 from 01.06.2017
Supercedes the edition: -----

EN



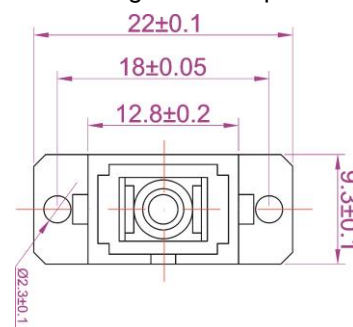
SC/APC-1SM adapter

1. Technical description.

The SC/APC-1SM adapter (fiber optic barrel) is designed for connecting two fibers of a single-mode optical fiber cable with SC/APC cables. The connection uses pigtails or optic patch cords.

Main features:

- Adapter for SC/APC single-mode connectors
- Ceramic ferrule (the front of the ferrule polished at an angle of 8 degrees)
- Mounting: snap-in mechanism and screw connection
- Fits most fiber optic switchers and fiber optic patch panels
- High quality material



2. Technical parameters.

Code	SC/APC-1SM
Connector type	SC/APC (single-mode) - - - SC/APC (single-mode)
The type of fiber optic cable	Single-mode
Dimensions (diameter/length)	See Fig. 1
Net/gross weight	0,003 kg
Declarations, warranties	CE, one year from the date of manufacture

3. Application:

Adapters can be used in telecommunication enclosures fitted with holes for their installation. The snap-in mechanism simplifies the mounting process and reduces the time required for mounting of media enclosures according to the regulation of the Ministry of Transport, Construction and Marine Economy.

Adapters are equally often used in mounting frames for RACK cabinets and fiber optic patch panels.

The adapters of this type can be mounted in two ways:

- Snap-in mechanism (quick installation).
- Screw connection (screws and cage nut included).



WEEE MARK

According to the EU WEE Directive – It is required not to dispose of electric or electronic waste as unsorted municipal waste and to collect such WEEE separately.

Pulsar

Siedlec 150, 32-744 Łapczyca, Polska
Tel. (+48) 14-610-19-40, Fax. (+48) 14-610-19-50
e-mail: biuro@pulsar.pl, sales@pulsar.pl
http:// www.pulsar.pl, www.zasilacze.pl